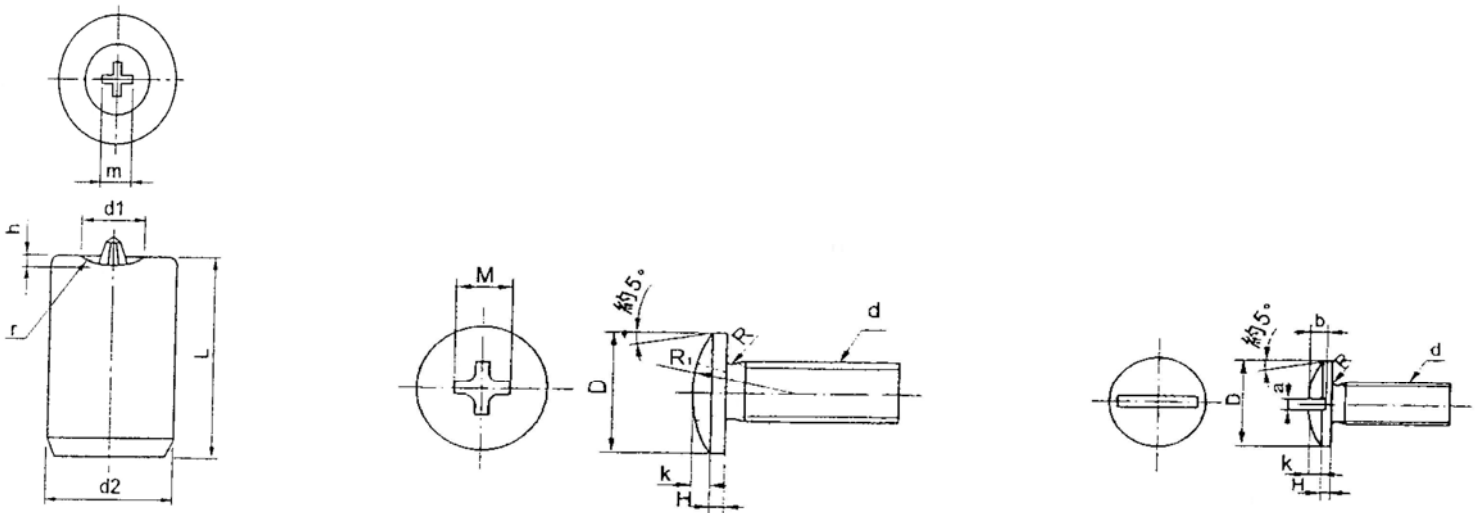




JMB (JIS BINDING HEAD MACHINE & TAPPING SCREW)

SIZE (d)	D		H		K		H+K		a		b		R	M	Q		Punch Code
	Dim.	+/-	Dim.	Dim.	+/-	Dim.	+/-	Dim.	+/-	Dim.	+/-	Min.	Max.	Max.	Min.		
M2	4.3	0 -0.4	0.85	0.35	±0.1	1.2	±0.15	0.6	+0.15 0	0.65	±0.1	0.1	2.2	1.01	0.65	JMBM2.0	
M2.2	4.7		0.9	0.4		1.3		0.6		0.7		0.1	2.3	1.11	0.75	JMB M2.2	
M2.3	4.9		1	0.4		1.4		0.6		0.7		0.1	2.4	1.21	0.85	JMB M2.3	
M2.5	5.3		1	0.5		1.5		0.8		0.8		0.1	2.5	1.32	0.95	JMB M2.5	
M2.6	5.5		1.1	0.5		1.6		0.8		0.85		±0.15	0.1	2.6	1.42	1.05	JMB M2.6
M3	6.3	0 -0.5	1.3	0.6	±0.15	1.9	±0.2	0.8	+0.2 0	1	±0.2	0.1	3.6	1.53	1.01	JMB M3.0	
M3.5	7.3		1.5	0.7		2.2		1		1.15		0.1	3.9	1.83	1.30	JMB M3.5	
M4	8.3		1.7	0.8		2.5		1		1.3		0.2	4.2	2.13	1.60	JMB M4.0	
M4.5	9.3	0 -0.6	1.9	0.9	±0.15	2.8	±0.2 0	1	+0.2 0	1.5	±0.25	0.2	4.6	2.53	1.99	JMB M4.5	
M5	10.3	2.1	1	3.1	1.2	1.7		0.2		4.9		2.83	2.29	JMB M5.0			
M6	12.4	0 -0.7	2.4	1.3	3.7	1.2		2		±0.3		0.25	6.2	2.86	2.31	JMB M6.0	
M8	16.4	0 -0.8	3.1	1.7	±0.2	4.8	±0.3	1.6	2.8	±0.5	0.4	7.7	4.36	3.78	JMB M8.0		

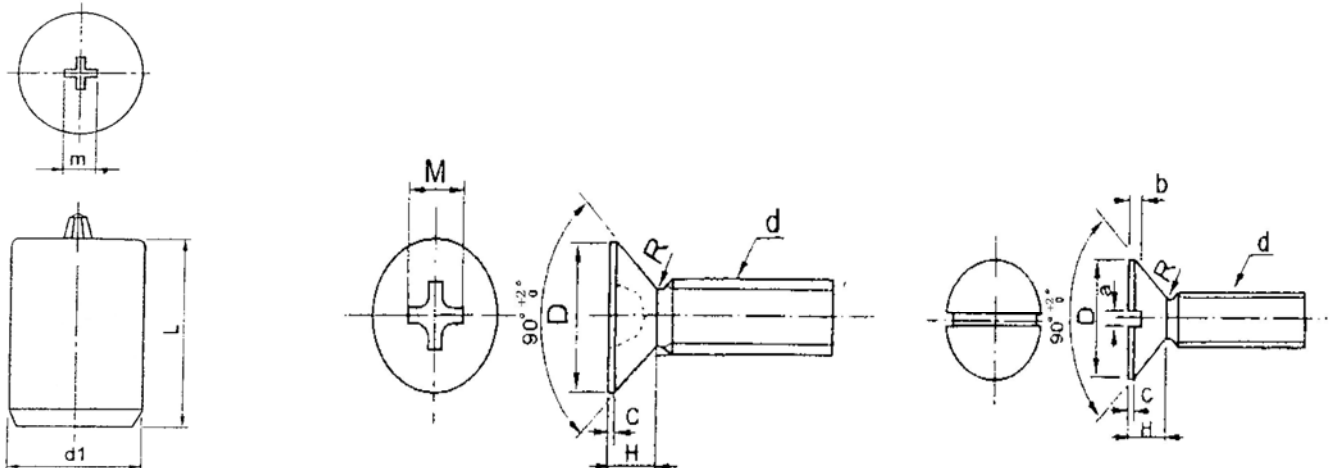
Remarks: **Dim.** = Dimension



JMF (JIS FLAT HEAD MACHINE & TAPPING SCREW)

SIZE (d)	D		H		c App.	a		b		R	M		Q		Punch Code
	Dim.	+/-	Dim.	+/-		Dim.	+/-	Dim.	+/-		Min.	Max.	Max.	Min.	
M2	4		1.2		0.2	0.6		0.5		0.2	2.2	1.01	0.66	JMF M2.0	
M2.2	4.4		1.3		0.2	0.6		0.5		0.22	2.4	1.21	0.85	JMF M2.2	
M2.3	4.6	0 -0.4	1.35	0 -0.2	0.2	0.6		0.5	±0.1	0.23	2.4	1.21	0.85	JMF M2.3	
M2.5	5		1.45		0.2	0.8		0.6		0.25	2.6	1.42	1.05	JMF M2.5	
M2.6	5.2		1.5		0.2	0.8	+0.15 0	0.6		0.26	2.6	1.42	1.05	JMF M2.6	
M3	6		1.75		0.25	0.8		0.7		0.3	3.5	1.43	0.91	JMF M3.0	
M3.5	7	0 -0.5	2		0.25	1		0.8	±0.15	0.35	4.0	1.93	1.40	JMF M3.5	
M4	8		2.3	0 -0.3	0.3	1		0.9		0.4	4.4	2.33	1.79	JMF M4.0	
M4.5	9	0	2.55		0.3	1		1	±0.2	0.45	4.8	2.73	2.19	JMF M4.5	
M5	10	-0.6	2.8		0.3	1.2		1.1		0.5	5.0	2.93	2.38	JMF M5.0	
M6	12	0 -0.7	3.4	0	0.4	1.2	+0.2 0	1.4	±0.25	0.6	6.6	3.26	2.70	JMF M6.0	
M8	16	0 -0.8	4.4	-0.4	0.4	1.6		1.8	±0.3	0.8	8.3	4.96	4.36	JMF M8.0	

Remarks: **Dim.** = Dimension; **App.** =Approximately

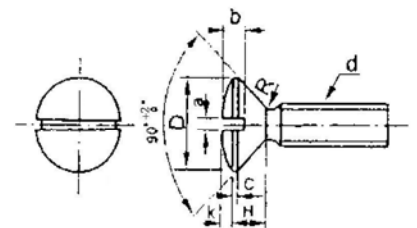
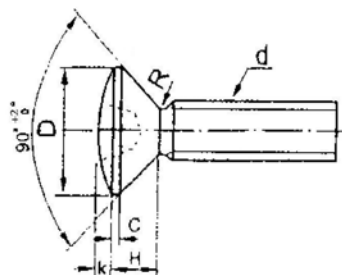
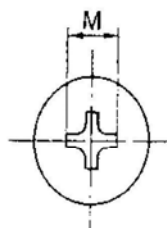
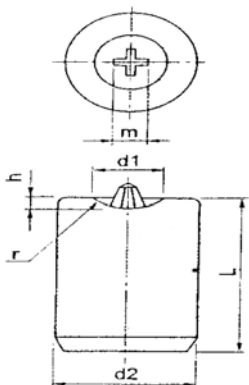




JMO (JIS OVAL HEAD MACHINE & TAPPING SCREW)

SIZE	D		H		c	K	H+K		a		b		R	M	Q		Punch Code	
	(d)	Dim	+/-	Dim			+/-	App.	App.	Dim.	+/-	Dim.			+/-	Dim.		+/-
M2	4			1.2		0.2	0.4	1.6		0.6		0.7		0.2	2.4	1.21	0.85	JMO M2.0
M2.2	4.4			1.3		0.2	0.5	1.8		0.6		0.8		0.22	2.7	1.52	1.14	JMO M2.2
M2.3	4.6	0 -0.4		1.35	0 -0.2	0.2	0.5	1.85	0	0.6		0.8	±0.15	0.23	2.7	1.52	1.14	JMO M2.3
M2.5	5			1.45		0.2	0.55	2	-0.4	0.8		0.9		0.26	2.9	1.72	1.34	JMO M2.5
M2.6	5.2			1.5		0.2	0.6	2.1		0.8	+0.15 0	0.9		0.26	2.9	1.72	1.34	JMO M2.6
M3	6			1.75		0.25	0.7	2.45		0.8		1.1		0.3	3.7	1.63	1.11	JMO M3.0
M3.5	7	0 -0.5		2		0.25	0.8	2.8		1		1.2	±0.2	0.35	4.2	2.13	1.60	JMO M3.5
M4	8			2.3	0 -0.3	0.3	0.9	3.2	0	1		1.4	±0.25	0.4	4.6	2.53	1.99	JMO M4.0
M4.5	9	0 -0.6		2.55		0.3	1	3.55	-0.5	1		1.5		0.45	5.0	2.93	2.38	JMO M4.5
M5	10			2.8		0.3	1.2	4		1.2		1.7	±0.3	0.5	5.2	3.13	2.58	JMO M5.0
M6	12	0 -0.7		3.4	0	0.4	1.4	4.8	0	1.2	+0.2 0	2.1	±0.4	0.6	6.8	3.46	2.90	JMO M6.0
M8	16	0 -0.8		4.4	-0.4	0.4	1.8	6.2	-0.6	1.6		2.7	±0.5	0.8	8.5	5.16	4.56	JMO M8.0

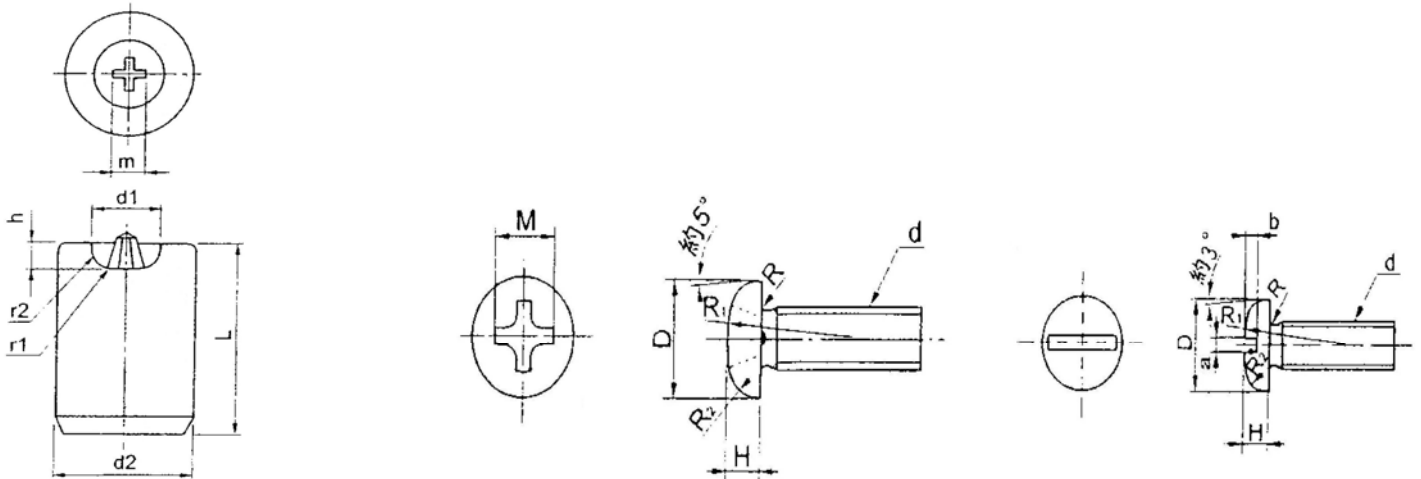
Remarks: **Dim.** = Dimension; **App.** =Approximately



JMP (JIS PAN HEAD MACHINE & TAPPING SCREW)

SIZE	D		H		R1	R2	a		b		R	M	Q		Punch Code	
	(d)	Dim.	+/-	Dim.	+/-	App.	App.	Dim.	+/-	Dim.	+/-	Min.	Max.	Max.		Min.
M2	3.5			1.3		4.5	0.7	0.6		0.7		0.1	2.2	1.01	0.60	JMP M2.0
M2.2	4			1.5		5	0.8	0.6		0.8	±0.1	0.1	2.4	1.21	0.80	JMP M2.3
M2.3	4	0 -0.4		1.5	±0.1	5	0.8	0.6		0.8		0.1	2.4	1.21	0.80	JMP M2.3
M2.5	4.1			1.7		6	0.9	0.8		0.9		0.1	2.6	1.42	1.00	JMP M2.6
M2.6	4.5			1.7		6	0.9	0.8	+0.15 0	0.9	±0.15	0.1	2.6	1.42	1.00	JMP M2.6
M3	5.5			2		7	1.1	0.8		1.1		0.1	3.5	1.43	0.86	JMP M3.0
M3.5	6	0 -0.5		2.3		8	1.3	1		1.25	±0.2	0.1	3.8	1.73	1.15	JMP M3.5
M4	7			2.6	±0.15	9	1.5	1		1.4		0.2	4.1	2.03	1.45	JMP M4.0
M4.5	8	0 -0.6		2.9		11	1.7	1		1.6	±0.25	0.2	4.5	2.43	1.84	JMP M4.5
M5	9			3.3		12	1.9	1.2	+0.2 0	1.8	±0.3	0.2	4.8	2.73	2.14	JMP M5.0
M6	10.5	0 -0.7		3.9		14	2.3	1.2		2.1		0.25	6.2	2.86	2.26	JMP M6.0
M8	14	0 -0.8		5.2	±0.2	18	3	1.6		2.8	±0.5	0.4	7.7	4.36	3.73	JMP M8.0

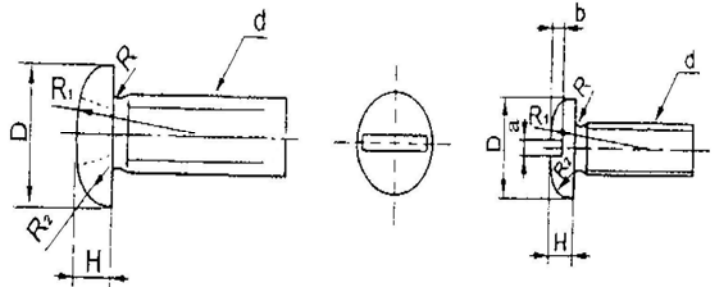
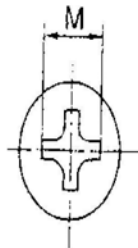
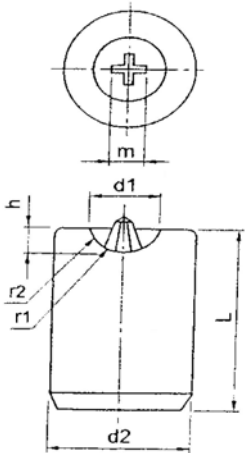
Remarks: **Dim.** = Dimension; **App.** =Approximately



JMR (JIS ROUND HEAD MACHINE & TAPPING SCREW)

SIZE	D		H		R1	R2	a		b		R	M	Q		Punch Code
(d)	Dim.	+/-	Dim.	+/-	App.	App.	Dim.	+/-	Dim.	+/-	Min.	Max.	Max.	Min.	
M2	3.5	0 -0.4	1.3	±0.1	2.1	1.2	0.6	+0.15 0	0.8	±0.1	0.1	2.1	0.91	0.50	JMR M2.0
M2.2	4		1.5		2.4	1.3	0.6		0.9	±0.15	0.1	2.3	1.11	0.70	JMR M2.3
M2.3	4		1.5		2.4	1.3	0.6		0.9		0.1	2.3	1.11	0.70	JMR M2.3
M2.5	4.5		1.7		2.7	1.5	0.8		1		0.1	2.5	1.32	0.90	JMR M2.6
M2.6	4.5		1.7		2.7	1.5	0.8		1		0.1	2.5	1.32	0.90	JMR M2.6
M3	5.5	0 -0.5	2	±0.15	3.3	1.8	0.8	+0.15 0	1.2	±0.2	0.1	3.4	1.33	0.76	JMR M3.0
M3.5	6		2.3		3.6	2	1		1.4		0.1	3.7	1.63	1.06	JMR M3.5
M4	7		2.6		4.2	2.3	1		1.6	±0.25	0.2	4.0	1.93	1.35	JMR M4.0
M4.5	8	0 -0.6	3	±0.15	4.8	2.7	1	+0.15 0	1.9	±0.3	0.2	4.4	2.33	1.74	JMR M4.5
M5	9	3.4	5.4		3	1.2	2.1		0.2		4.7	2.63	2.04	JMR M5.0	
M6	10.5	0 -0.7	4		±0.2	6.3	3.5		1.2	+0.2 0	2.5	±0.4	0.25	6.1	2.76
M8	14	0 -0.8	5.4	8.4		4.6	1.6	3.3	±0.5		0.4	7.6	4.26	3.63	JMR M8.0

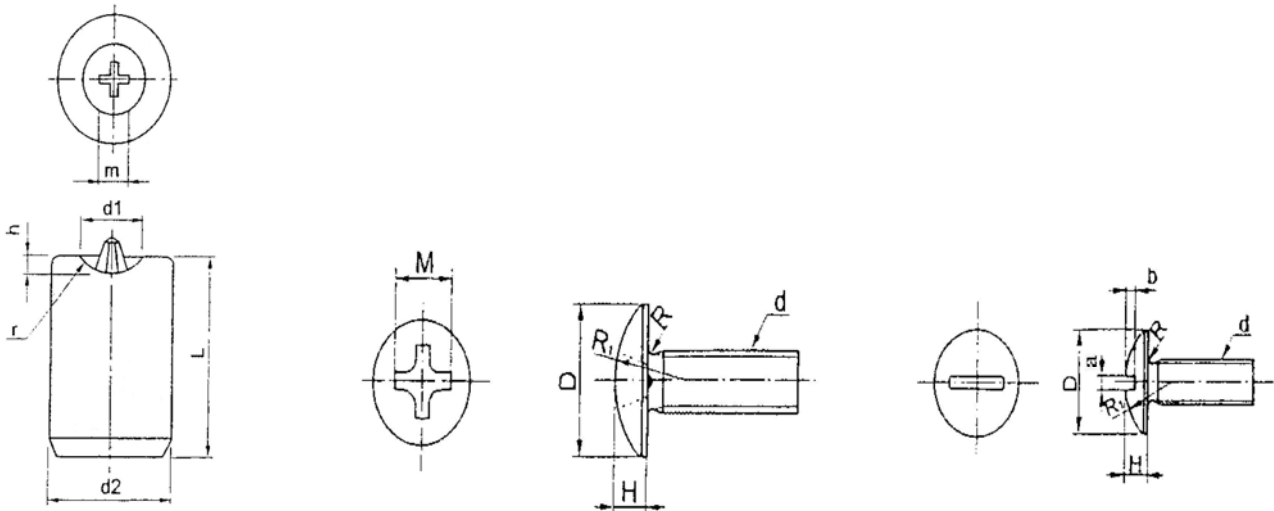
Remarks: **Dim.** = Dimension; **App.** = Approximately



JMT (JIS TRUSS HEAD MACHINE & TAPPING SCREW)

SIZE	D		H		R1	a		b		R	M	Q		Punch Code
(d)	Dim.	+/-	Dim.	+/-	App.	Dim.	+/-	Dim.	+/-	Min.	Max.	Max.	Min.	
M2	4.5	0 -0.4	1.2	±0.1	3	0.6	+0.15 0	0.6	±0.1	0.1	2.2	1.01	0.65	JMT M2.0
M2.2	5		1.3		3.2	0.6		0.65		0.1	2.3	1.11	0.75	JMT M2.2
M2.3	5.2		1.4		3.4	0.6		0.7		0.1	2.4	1.21	0.85	JMT M2.3
M2.5	5.7		1.5		3.7	0.8		0.75		0.1	2.5	1.32	0.95	JMT M2.5
M2.6	5.9		1.6		3.9	0.8		0.8		0.1	2.6	1.42	1.05	JMT M2.6
M3	6.9	0 -0.5	1.9	±0.15	4.6	0.8	+0.2 0	0.95	±0.15	0.1	2.9	1.72	1.34	JMT M3.0
M3.5	8.1		2.2		5.4	1		1.1		0.1	3.9	1.83	1.30	JMT M3.5
M4	9.4		2.5		6.1	1		1.25		0.2	4.2	2.13	1.60	JMT M4.0
M4.5	10.6	0	2.8	±0.2	6.9	1	+0.2 0	1.4	±0.2	0.2	4.6	2.53	1.99	JMT M4.5
M5	11.8	-0.6	3.1		7.7	1.2		1.6		±0.25	0.2	4.9	2.83	2.29
M6	14	0 -0.7	3.7	±0.2	9.1	1.2	+0.2 0	1.9	±0.3	0.25	6.2	2.86	2.31	JMT M6.0
M8	17.8	0 -0.8	4.8		11.7	1.6		2.4		±0.4	0.4	7.7	4.36	3.78

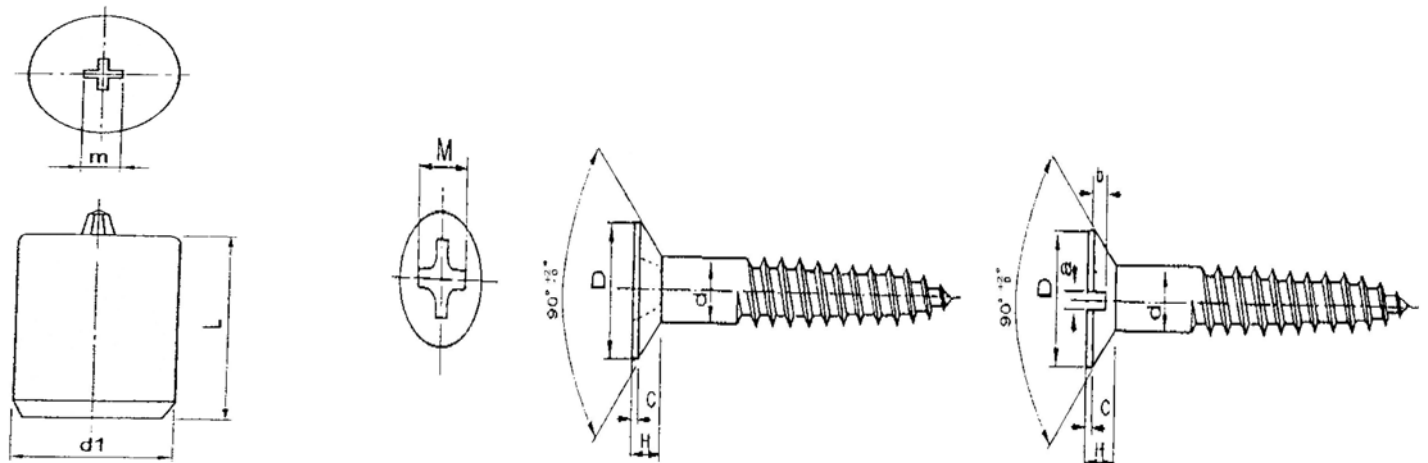
Remarks: **Dim.** = Dimension; **App.** =Approximately



JWF (JIS FLAT HEAD WOOD SCREW)

SIZE	d		D		H		C	a		b		M	Q		Punch Code	
(d)	Dim.	+/-	Dim.	+/-	Dim.	+/-	App.	Dim.	+/-	Dim.	+/-	Max.	Max.	Min.		
M2.1	2.1	±0.07	4.2	0 -0.4	1.25	0 -0.2	0.2	0.6	+0.15	0	0.5	±0.1	2.5	1.32	0.95	JWF M2.1
M2.4	2.4		4.8		1.4		0.2	0.7	0.6		2.7		1.52	1.14	JWF M2.4	
M2.7	2.7		5.4		1.55		0.2	0.8	0.7		±0.15		2.9	1.72	1.34	JWF M2.7
M3.1	3.1	±0.1	6.2	0 -0.5	1.8	0 -0.3	0.25	0.9	+0.2 0	0	0.8	±0.2	3.8	1.73	1.20	JWF M3.1
M3.5	3.5		7		2		0.25	1			0.9		4.2	2.13	1.60	JWF M3.5
M3.8	3.8		7.6		2.15		0.25	1			0.9		4.5	2.43	1.89	JWF M3.8
M4.1	4.1	±0.12	8.2	0 -0.6	2.35	0 -0.4	0.3	1.2	+0.25 0	0	1	±0.25	4.8	2.73	2.19	JWF M4.1
M4.5	4.5		9		2.55		0.3	1.2			1.1		5.2	3.13	2.58	JWF M4.5
M4.8	4.8		9.6		2.7		0.3	1.3			1.2		5.4	3.33	2.77	JWF M4.8
M5.1	5.1	±0.12	10.2	0 -0.7	2.85	0 -0.4	0.3	1.4	+0.25 0	0	1.2	±0.25	6.4	3.06	2.50	JWF M5.1
M5.5	5.5		11		3.05		0.3	1.4			1.3		6.7	3.36	2.80	JWF M5.5
M5.8	5.8		11.6		3.2		0.3	1.6			1.4		7.0	3.66	3.09	JWF M5.8
M6.2	6.2	12.4	3.5	0.4	1.6	0	1.5	±0.3	7.3	3.96	3.39	JWF M6.2				

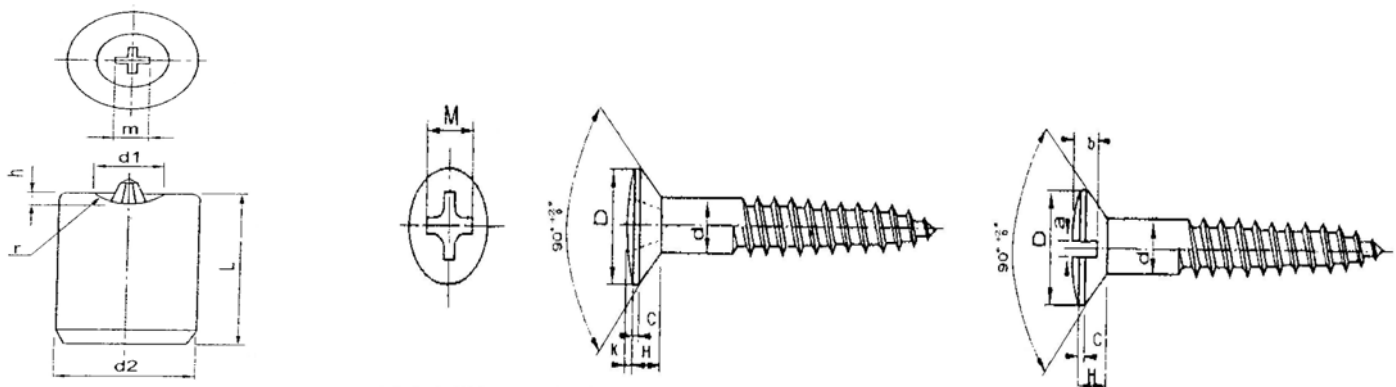
Remarks: **Dim.** = Dimension; **App.** = Approximately



JWO (JIS OVAL HEAD WOOD SCREW)

SIZE	d		D		H		C	K	H+K		a		b		M	Q		Punch Code	
	(d)	Dim	+/-	Dim	+/-	Dim			+/-	App	App	Dim	+/-	Dim		+/-	Dim		+/-
M2.1	2.1		4.2		1.25		0.2	0.5	1.75		0.6	+0.15	0.9		2.7	1.52	1.14	JWO M2.1	
M2.4	2.4	±0.07	4.8	0 -0.4	1.4	0 -0.2	0.2	0.6	2	0 -0.4	0.7	0	1	±0.15	2.9	1.72	1.34	JWO M2.4	
M2.7	2.7		5.4		1.55		0.2	0.7	2.25		0.8		1.1			3.1	1.92	1.54	JWO M2.7
M3.1	3.1		6.2		1.8		0.25	0.8	2.6		0.9		1.3		±0.2	3.9	1.83	1.30	JWO M3.1
M3.5	3.5	7	0 -0.5	2		0.25	0.8	2.8		1		1.4		4.3		2.23	1.69	JWO M3.5	
M3.8	3.8	±0.1	7.6		2.15		0.25	0.9	3.05		1		1.5	±0.25	4.6	2.53	1.99	JWO M3.8	
M4.1	4.1		8.2		2.35	0	0.3	1	3.35	0	1.2	+0.2 0	1.7			4.9	2.83	2.28	JWO M4.1
M4.5	4.5		9		2.55	-0.3	0.3	1.1	3.65	-0.5	1.2		1.8		5.3	3.23	2.68	JWO M4.5	
M4.8	4.8	±0.12	9.6	0 -0.6	2.7		0.3	1.1	3.8		1.3		1.9	±0.3	5.5	3.43	2.87	JWO M4.8	
M5.1	5.1		10.2		2.85		0.3	1.2	4.05		1.4		2			6.5	3.16	2.60	JWO M5.1
M5.5	5.5		11		3.05		0.3	1.3	4.35		1.4		2.2			6.8	3.46	2.90	JWO M5.5
M5.8	5.8		11.6	0	3.2	0	0.3	1.4	4.6	0	1.6	+0.25	2.3	±0.4	7.1	3.76	3.19	JWO M5.8	
M6.2	6.2	12.4	-0.7	3.5	-0.4	0.4	1.4	4.9	-0.6	1.6	0	2.5			7.4	4.06	3.48	JWO M6.2	

Remarks: **Dim.** = Dimension; **App.** = Approximately





JWR (JIS ROUND HEAD WOOD SCREW)

SIZE	d		D		H		R1	R2	a		b		M		Q		Punch Code
	(d)	Dim.	+/-	Dim.	+/-	Dim.	+/-	App.	App.	Dim.	+/-	Dim.	+/-	Max.	Max.	Min.	
M2.1	2.1	±0.07	3.9	±0.2	1.6	±0.1	2.3	1.4	0.6	+0.15 0	1	±0.15	2.5	1.32	0.90	JWR M2.1	
M2.4	2.4		4.4		1.8		2.6	1.5	0.7		1.1		2.7	1.52	1.10	JWR M2.4	
M2.7	2.7		5		2		3	1.7	0.8		1.2		2.9	1.72	1.29	JWR M2.7	
M3.1	3.1	±0.1	5.7	±0.25	2.3	±0.15	3.4	1.9	0.9	+0.2 0	1.4	±0.2	3.7	1.63	1.06	JWR M3.1	
M3.5	3.5		6.5		2.5		4	2.1	1		1.6		3.9	1.83	1.25	JWR M3.5	
M3.8	3.8		7		2.7		4.4	2.3	1		1.7		4.1	2.03	1.45	JWR M3.8	
M4.1	4.1	±0.12	7.6	±0.3	2.9	±0.2	4.8	2.4	1.2	+0.25 0	1.8	±0.3	4.3	2.23	1.64	JWR M4.1	
M4.5	4.5		8.3		3.1		5.2	2.6	1.2		1.9		4.5	2.43	1.84	JWR M4.5	
M4.8	4.8		8.9		3.3		5.7	2.8	1.3		2		4.7	2.63	2.04	JWR M4.8	
M5.1	5.1	±0.12	9.4	±0.35	3.5	±0.2	6	2.9	1.4	+0.25 0	2.2	±0.4	5.9	2.56	1.96	JWR M5.1	
M5.5	5.5		10.2		3.8		6.5	3.2	1.4		2.4		6.1	2.76	2.16	JWR M5.5	
M5.8	5.8		10.7		4		6.9	3.3	1.6		2.5		6.3	2.96	2.36	JWR M5.8	
M6.2	6.2		11.5		4.2		7.4	3.5	1.6		2.6		6.6	3.26	2.65	JWR M6.2	

Remarks: **Dim.** = Dimension; **App.** =Approximately

