



Chein Fa Industrial Co., Ltd.

No. 98, Yung Kang St., Yung kang City, Tainan County 710, Taiwan
(R.O.C)

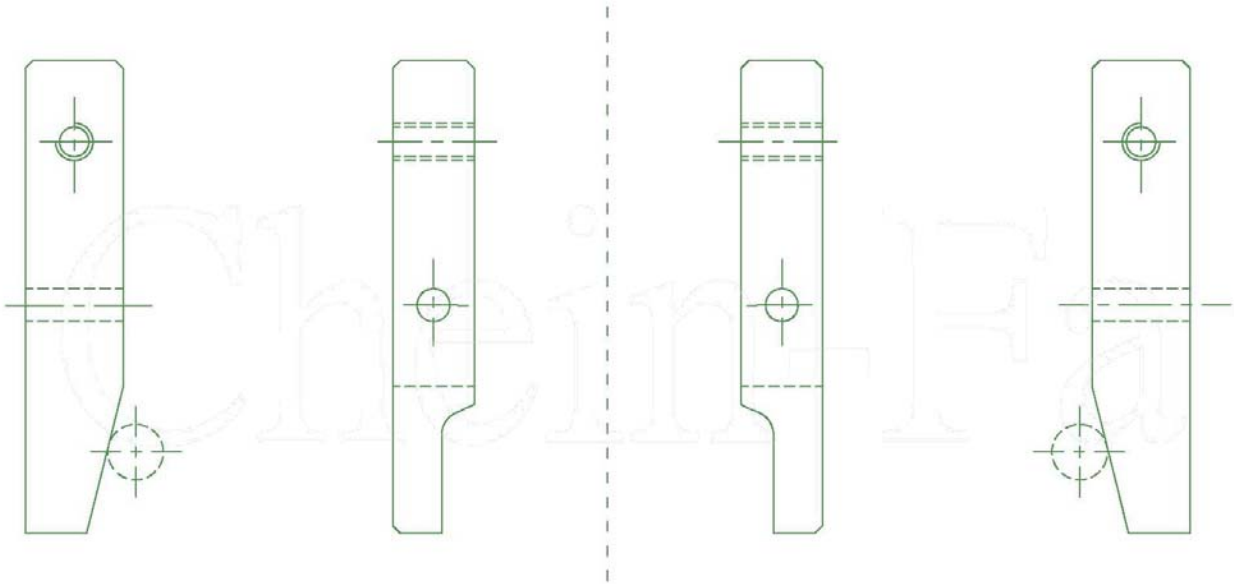
TEL: 886-6-2322952

FAX: 886-6-2012506

WWW.CHEIN-FA.COM

E-MAIL: cf885675@ms79.hinet.net

SCREW FINGERS TYPES



Remarks: Any other types exclusive of above are also welcome to indicate. As long as you pass the drawing of device with detailed dimensions to us, we all could manufacture them for you.