



Chein Fa Industrial Co., Ltd.

No. 98, Yung Kang St., Yung kang City, Tainan County 710, Taiwan (R.O.C)

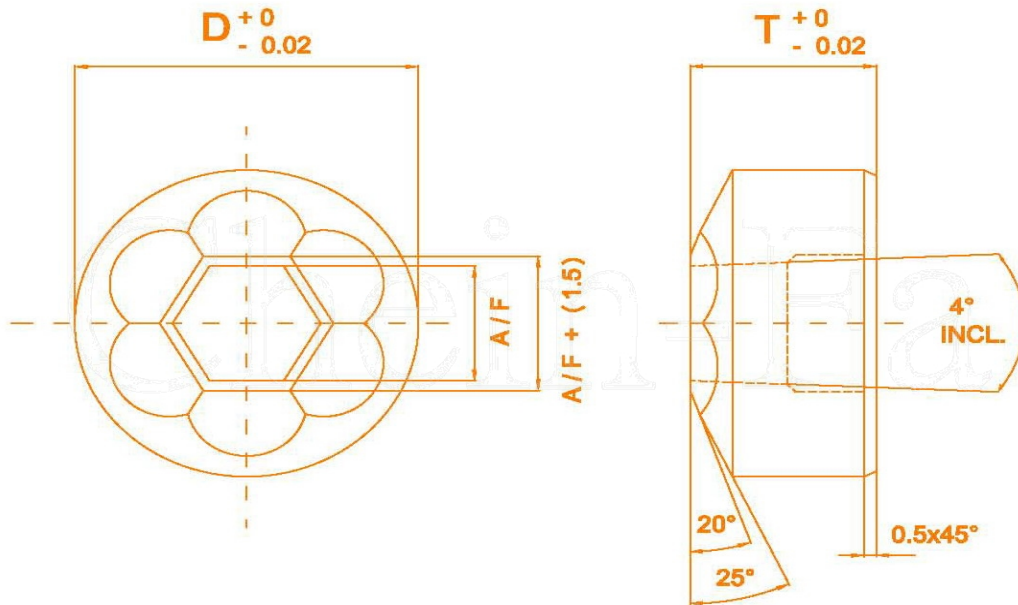
TEL: 886-6-2322952

FAX: 886-6-2012506

WWW.CHEIN-FA.COM

E-MAIL: cf885675@ms79.hinet.net

TRIMMING DIES



Metric Types

UN Types (ANSI)

BS Types

Size	Normal A / F	A / F Min.	Size	A / F Min.	Size	A / F Min.
M3	5.5	5.33	#10	7.76	1/4	11.12
M4	7.0	6.80	1/4	10.90	5/16	13.16
M5	8.0	7.80	5/16	12.40	3/8	15.04
M6	10.00	9.80	3/8	14.00	7/16	17.86
M7	11.00	10.76	7/16	15.58	1/2	20.68
M8	12.00	11.76	1/2	18.70	9/16	22.86
M8	13.00	12.76	9/16	20.30	5/8	25.40
M9	14.00	13.78	5/8	23.42	3/4	30.23
M10	16.00	15.78	3/4	28.00	#	#
M10	17.00	16.78	7/8	32.70	#	#
M12	18.00	17.72	1	37.40	#	#
M12	19.00	18.72	#	#	#	#
M14	21.00	20.70	#	#	#	#
M14	22.00	21.72	#	#	#	#
M16	24.00	23.72	#	#	#	#
M18	27.00	26.72	#	#	#	#
M20	30.00	29.72	#	#	#	#
M22	32.00	31.66	#	#	#	#

※ Remarks : Above all items are optional with CVD coated, and the dimensions of "D"&"T" as showed are depended on your device.